



Head Office : 50, Lorong Nagasari 11, Taman Nagasari, 13600 Prai, Penang.
 Tel: 604-390 5607 Fax: 604-399 7327 E-mail: sales.pg@ais.my
 Brance office : No. 19, Jalan Permai, Off Jalan Haji Sirat, Klang Utama, 42100 Selangor
 Tel: 03-3291 2162 Fax: 03-3291 9308 Email: sales.kl@ais.my

ONE – TOUCH FITTING

Specifications :

Compatible Fluid Type	Air (No other gasses or liquids)
Operating Pressure Range	0-9.9Kgf / cm ² (0-99kPa)
Negative Pressure	-750 mmHg (10Torr)
Operating Temperature Range	0 - 60°C
Recommended Tube Material	Polyurethane and Nylon

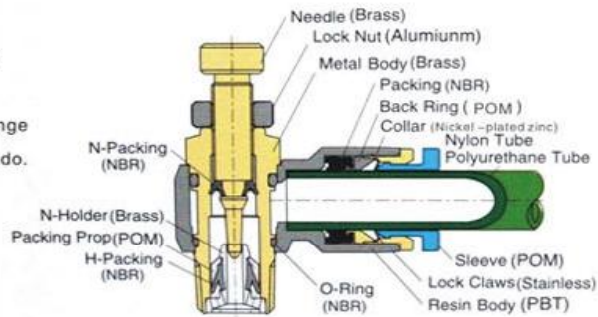
SPEED CONTROLLERS & HAND VALVES




FEATURES

- Accurate regulation of an optimal air flow rate for precise motion control.
- The compact design provides the comparable range of Speed as the larger standard speed controller do.
- Control-Out and control-in types are available for all models.
- All NPT & R(BSPT)threads are pre-coated with Teflon sealant.

CONSTRUCTION



Model Type	Model	Tube size	Thread size
SPEED CONTROLLER 	NSE 04 – M5	4mm	M5
	NSE 04 – 01	4mm	1/8
	NSE 04 – 02	4mm	¼
	NSE 06 – M5	6mm	M5
	NSE 06 – 01	6mm	1/8
	NSE 06 – 02	6mm	¼
	NSE 06 – 03	6mm	3/8
	NSE 08 – 01	8mm	1/8
	NSE 08 – 02	8mm	¼
	NSE 08 – 03	8mm	3/8
	NSE 08 – 04	8mm	½
	NSE 10 – 01	10mm	1/8
	NSE 10 – 02	10mm	¼
	NSE 10 – 03	10mm	3/8
	NSE 10 – 04	10mm	½
	NSE 12 – 02	12mm	¼
NSE 12 – 03	12mm	3/8	
NSE 12 – 04	12mm	½	

Model Type	Model	Tube size	Thread size
INLINE SPEED CONTROLLER 	NSF 04	4mm	
	NSF 06	6mm	
	NSF 08	8mm	
	NSF 10	10mm	
	NSF 12	12mm	